

Product Data Sheet



Product Description

| | |
|---------------------|--|
| Catalogue number | 5062001C |
| Product description | CAPP Petri Dishes, 90 mm, w/o vents, sterile |
| Sales Unit | Case / 24 x 20 pcs. |

Product Characteristics

| | |
|-----------------------|------------------------|
| Ventilation cams | No |
| Sterilised | Yes beta irradiation |
| Production conditions | ISO Class 8 |
| Autoclavable | No |

Size

| | |
|------------------------------------|----------|
| Width | 91.5 mm |
| Height | 14.35 mm |
| Max. volume level (overflow level) | 75 mL |

Material / Colours

| | |
|-------------------|------------------|
| Product material | Polystyrene (PS) |
| Colour of product | Clear |

Packaging

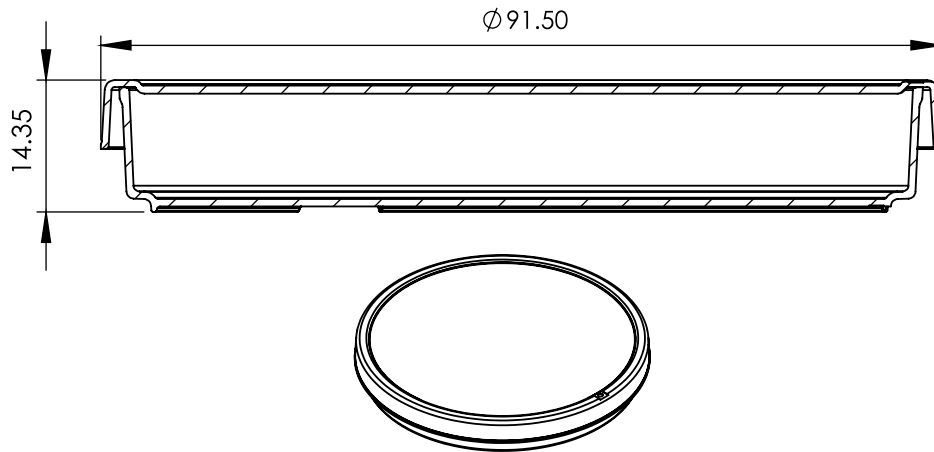
| | |
|-----------------------------------|--------------------|
| Type of packaging | Bag |
| Pieces / bag | 20 |
| Pieces / Case | 480 |
| Pieces / Pallet | 9600 |
| Dimension Case Carton (H x W x D) | 310 x 600 x 400 mm |
| Weight | 8.55 kg |
| GTIN Sales Unit | 4255662903312 |

Note: *Improper storage can initiate degradation, which results in colour changes and can have negative effects on the physical properties of the products.*

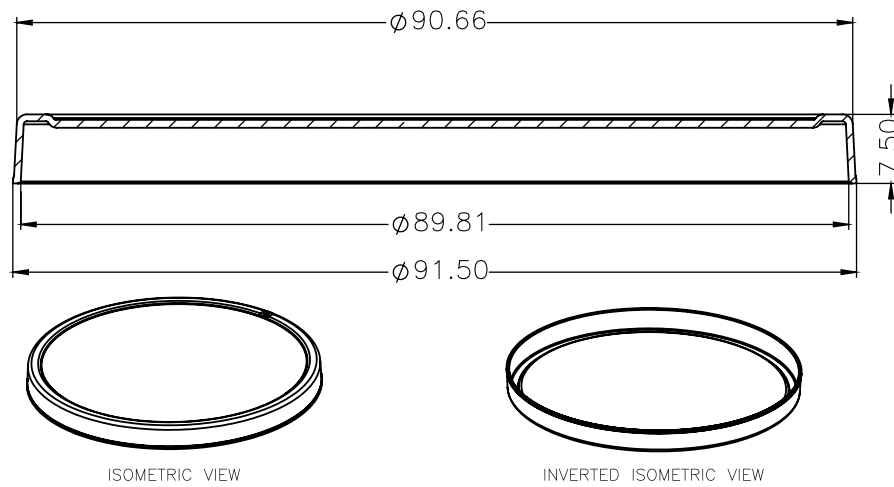
Safety: *The product is not classified as dangerous*

Technical Drawings

Assembled (Bottom and Lid)



Lid



Bottom

